

# URBANARTT PRIMO COMPLETE

USER MANUAL

# **SAFETY WARNINGS**

## **PARENTAL INSTRUCTIONS**

This manual contains important information's.  
For your child's safety, it is your responsibility to review this information with your child and make sure that your both all understands the warnings, cautions, instructions and safety topics.

## **SAFETY PRECAUTIONS**

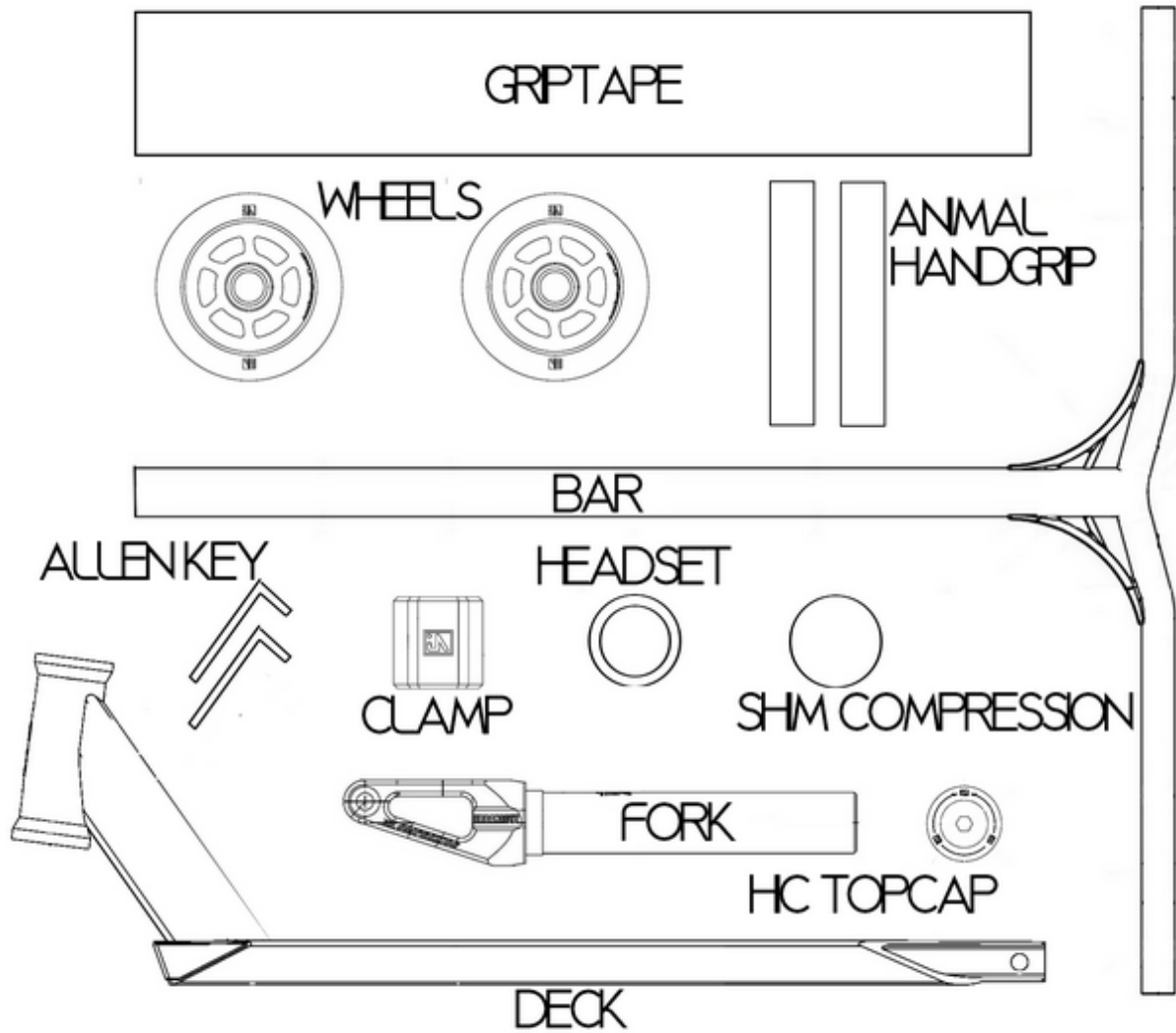
Using a Freestyle scooter can be dangerous activity and may result in injury or death even when used proper safety precautions.  
Use at your own risk and use common sence.  
Always inspect the scooter prior to riding and after each seassion.  
Check and secure all fasteners before every ride.

## **WARNINGS**

Age 10+ and maximum rider weight is 110kg  
Always wear safety equipment such as helmet, knee pads and elbow pads.  
Always wear helmet when you're riding your Scooter.  
Always wear close-toed shoes.  
Always Adults must assist children in the initial adjustment procedure to adjust wheels , axles, handlebars and clamps , if you are not able to do them ask to a professional shop to do this for you.  
Take care to ride in safety situation.  
Do not ride when it's raining or at night.  
Check and secure every fastener before every ride.  
Replace immediately the worn or broken parts.

# INSIDE THE BOX

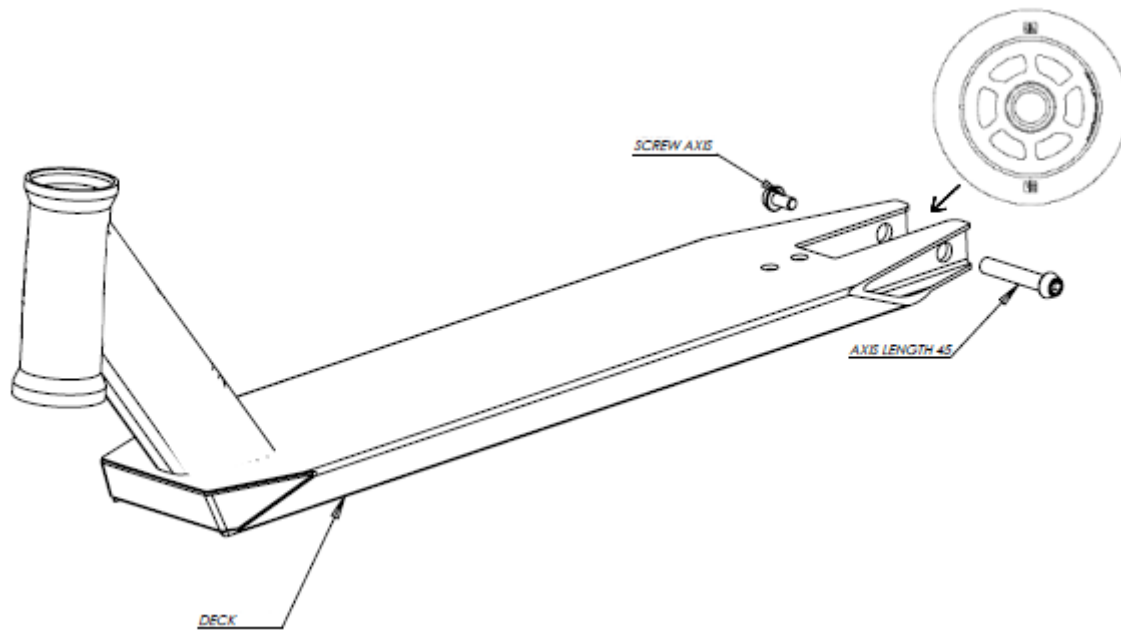
▲ CHECK CAREFULLY THE BOX



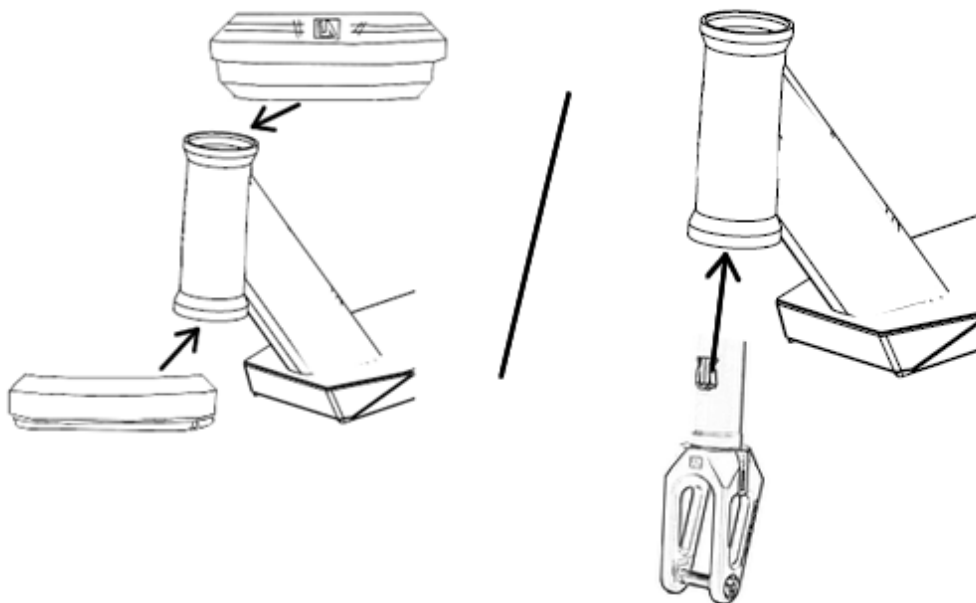
## ASSEMBLY

**⚠ Do the assemblies step by step, if you are not sure to ensure a good assembly ask a professional to do it .**

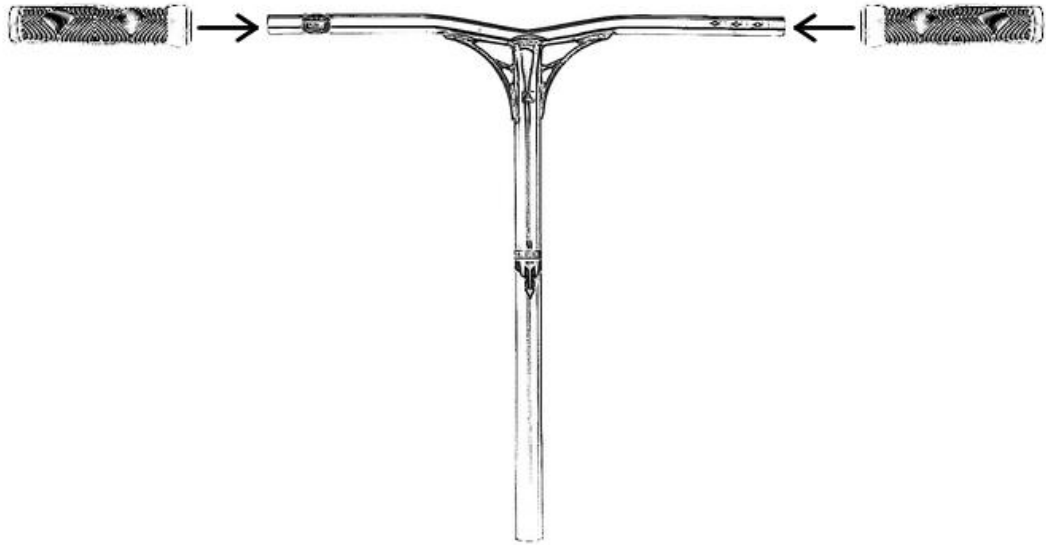
**1 – Take the deck and inside the rear wheel. Slide the axle and screw the axle bolt in the axle using the allen key.**



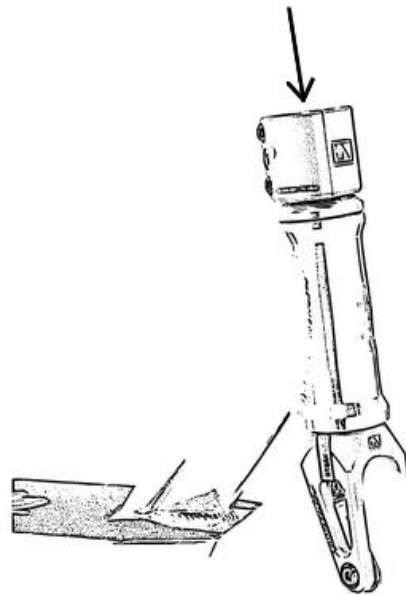
**2- Place the down headset and inside the fork – Then place the upper headset**



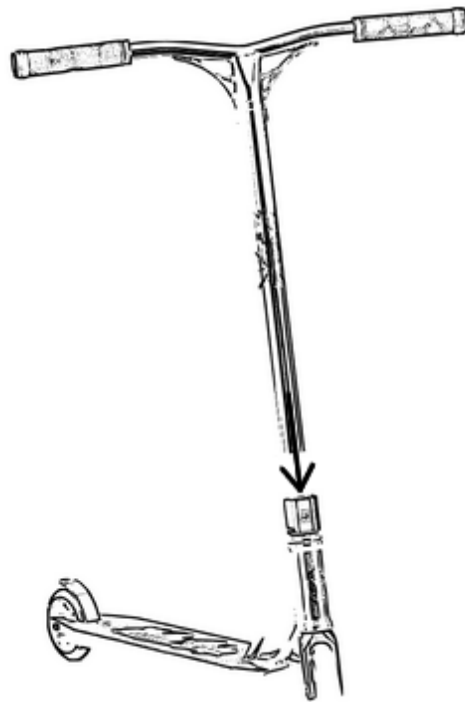
**3-** Slide the Animal handgrip on the bar



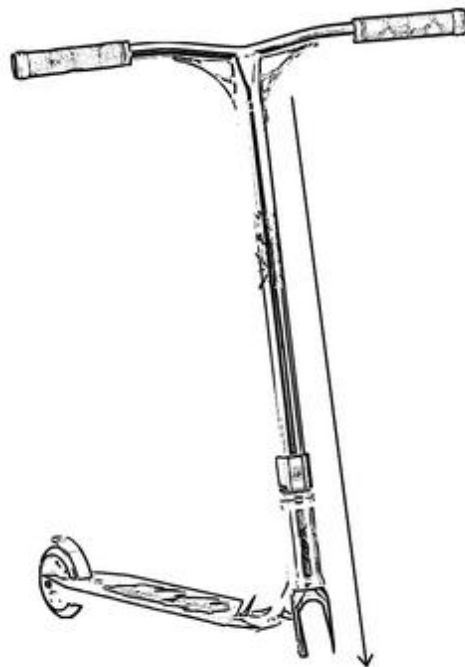
**4-** Slide the compression and the clamp on the fork top tube.  
Screw on the fork top tube the top cap using the Allen tool.



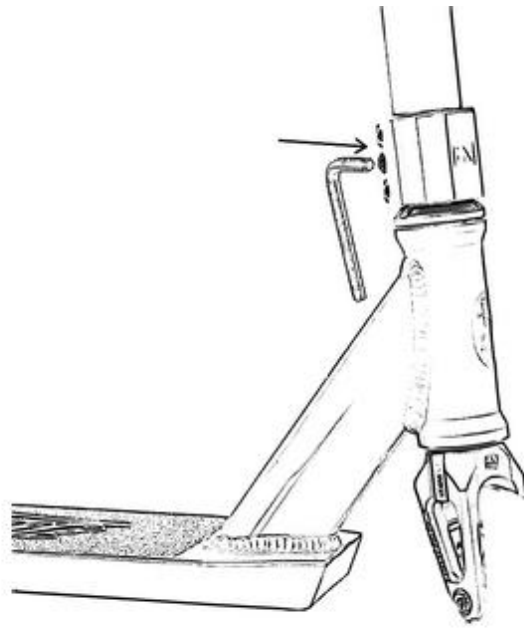
**5-** Slide the bar on the clamp.



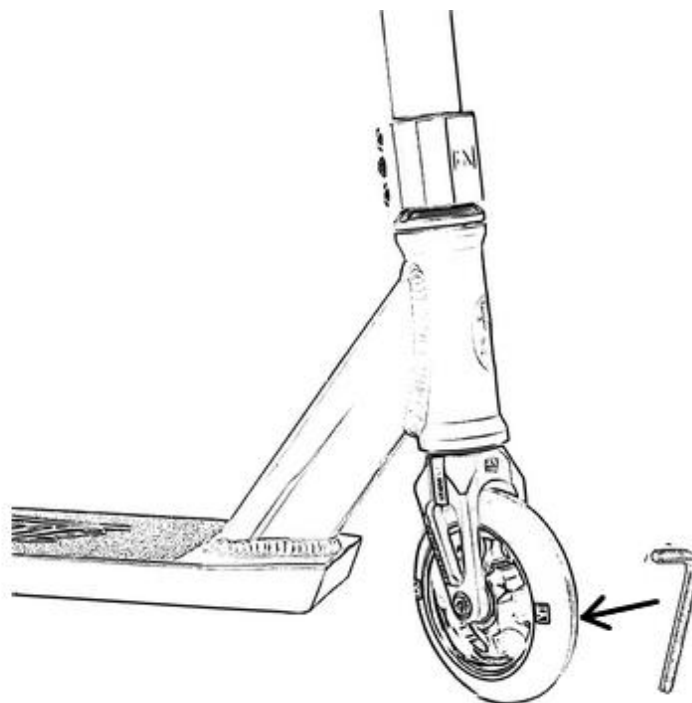
**6-** Make sure the fork is positioned straight on the bar



**7-**Close the clamp using the allen tool , do not overtighten the clamp.



**8-**Place the front wheel, slide the axle in the fork , screw the axle bolt using the allen tool.



**9-**Place your Grip tape.

**10-** Enjoy

## Maintenance

### **Tightening your compression**

If your bars start to shake or move side to side, this means your compression needs to be tightened.

Follow the instruction in this manual book.

We also recommend to tight the compression just enough to keep the headset spinning smoothly, then tighten the bolts of the clamp well , after just turn your compression bolt another time to lock it in place.

Be aware to check your compression scooter after each ride.

### **Wheels and bearing**

Do not allow water enter into your bearings as they will rust.

You must lubricate the bearing whit bicycle oil, if you are not able to do this, ask for a professional scooter shop to do this.

### **Cleaning your scooter**

Never use alcohol or any strong cleaning agents to clean your scooter.

Warm water and damp cloth are enough to clean your scooter.

### **Change your defective product**

Go to your local scooter shop and ask them to let you know which produce is compatible whit your built scooter.

Change directly your produce once you see that they start to be old.

### **SAFETY REMINDER**

Before to use your scooter for the first time, check all the bolts are tightened.

Inspect all moving parts, including wheels, headset and ensure they are operating smoothly.

Make a complete checking before every ride.

Don't ride if you loose a parts of damage a parts, this can increase the risk of fall.

Replace immediately worn or broken parts.

Ensure you are wearing all the required safety equipment.